

Pulse

FEATURES

KEYPAD

- 10 alphanumeric keys
- Keypad test
- Lighted keypad
- Red Led
- Buzzer
- Battery compartment
- Dallas key reader
- Fixed/rotating keypad
- 4 configurations selectable by keypad
- Power:
 - 9V alkaline battery
 - battery box
 - power supply

Not all the features are available in the standard configuration. Please remember to request the desired functions.



SwingBolt



DeadBolt



LatchBolt



Motor LatchBolt Lock



MotorLock



MotorLock Push&Pull



2 USERS LOCKS

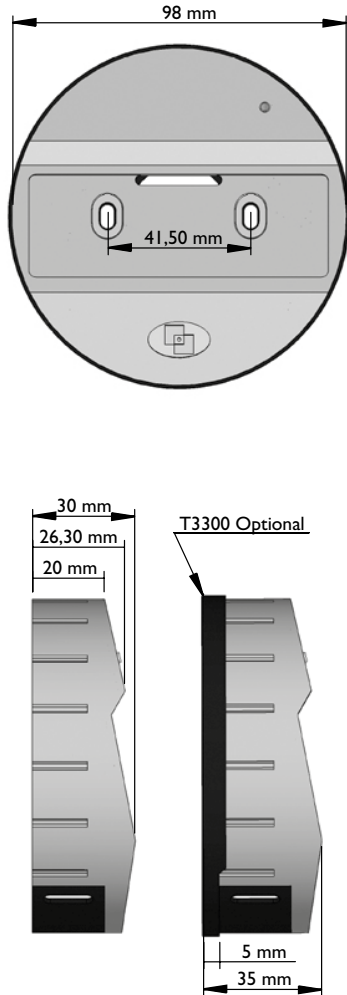
- Manager
- User
- Time delay I - 99 minutes
- Open window I - 19 minutes
- Penalty
- Factory code check
- Factory Reset

10 USERS LOCKS

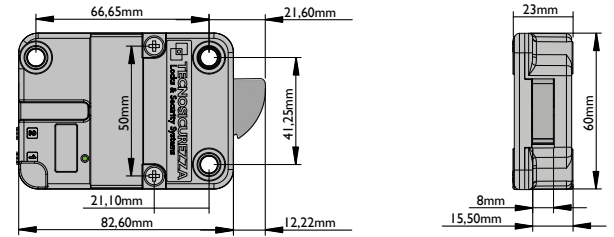
- Manager
- 8 Users
- Override user
- Time delay I - 99 minutes
- Open window I - 19 minutes
- Silent alarm
- Remote disable opening
- Penalty
- Dallas key management
- Dual mode
- Factory code check
- Factory Reset



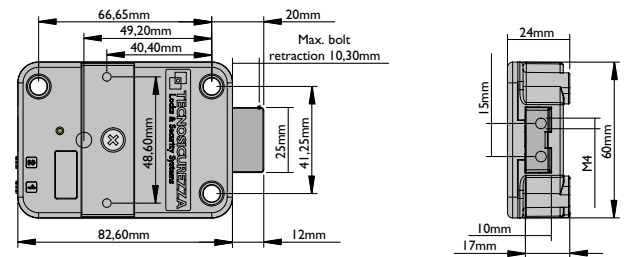
Pulse Keypad



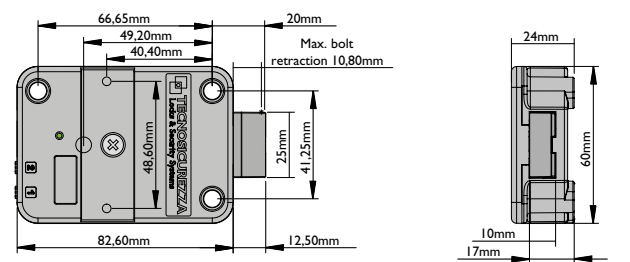
SwingBolt



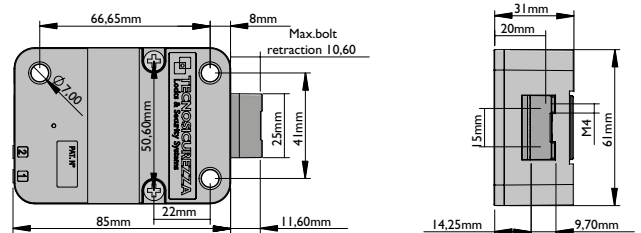
DeadBolt



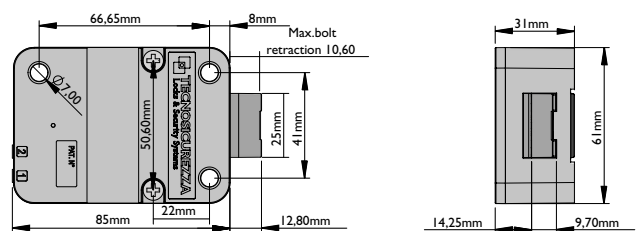
LatchBolt



MotorLock/MotorLock Push&Pull



Motor LatchBolt Lock



v. 2,2-23

GLOBAL HEADQUARTERS

Tecnosicurezza SpA
 Via C. Battisti, 276
 37057 S.Giovanni Lup.(VR)
 ITALY
 info@tecnosicurezza.it
 www.tecnosicurezza.it

USA HEADQUARTERS

Tecnosicurezza Inc
 133, Trade Street-Suite 4
 Lexington, KY 40511
 USA
 info@usatecno.com
 www.usatecno.com

SPAIN HEADQUARTERS

Tecnosicurezza SA
 C/Menor, 4 - Nave 10, Pol Ind. "La Mina"
 28770 Colmenar Viejo
 SPAIN
 info@tecnosicurezza.es
 www.tecnosicurezza.es